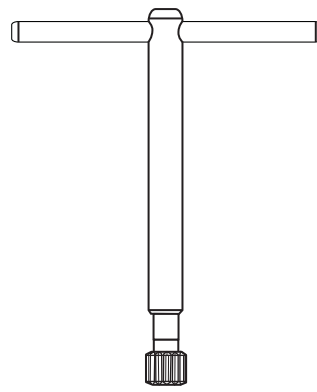
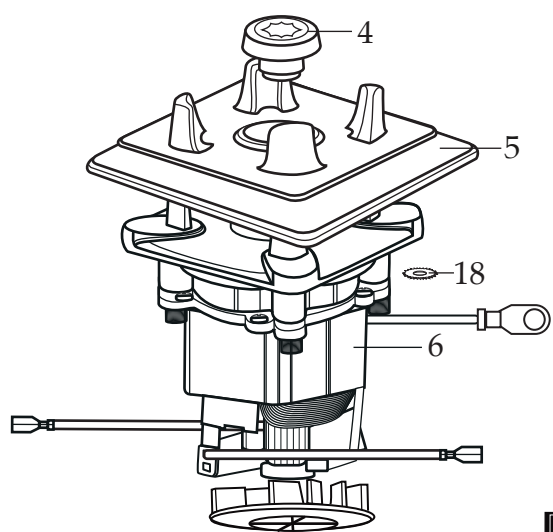


WARING COMMERCIAL

Europe Xtreme Blenders with
Electronic Membrane Keypad
and 48 oz. Raptor Container

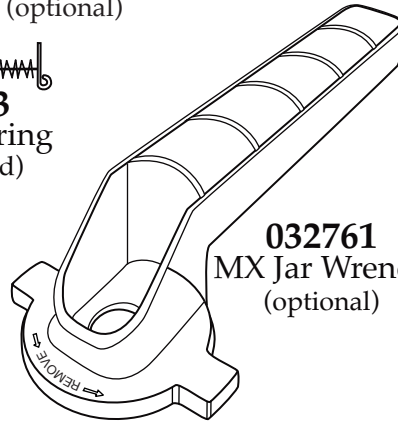
MX1050XTPEE
MX1050XTPSEE
with Sound Enclosure



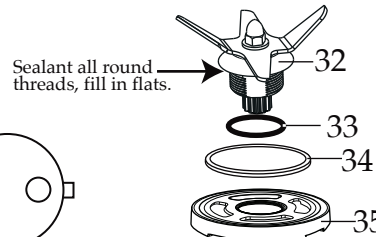
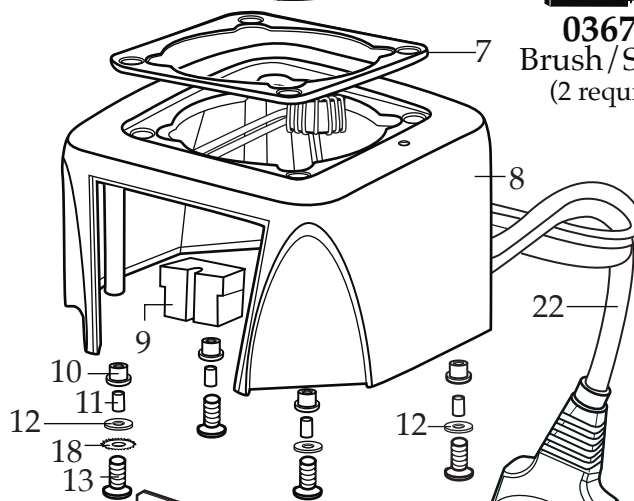
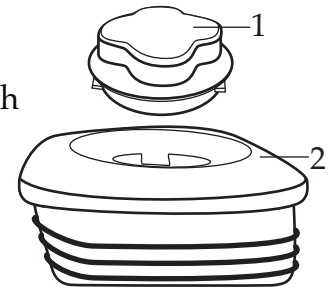
503351
MX Coupling Wrench
(optional)



036743
Brush/Spring
(2 required)



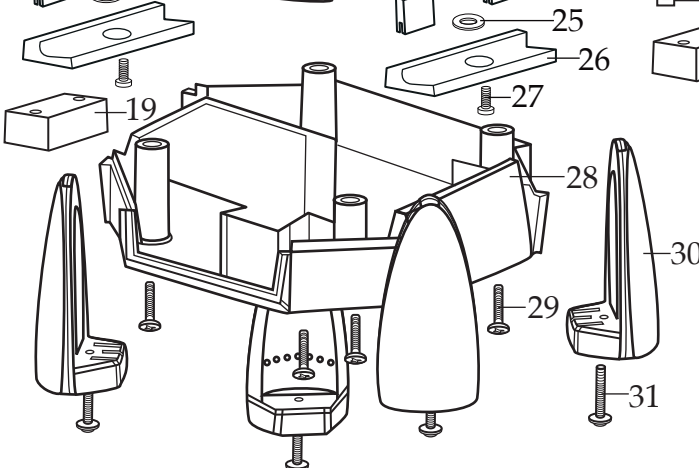
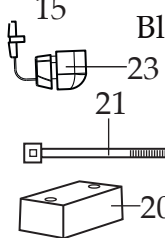
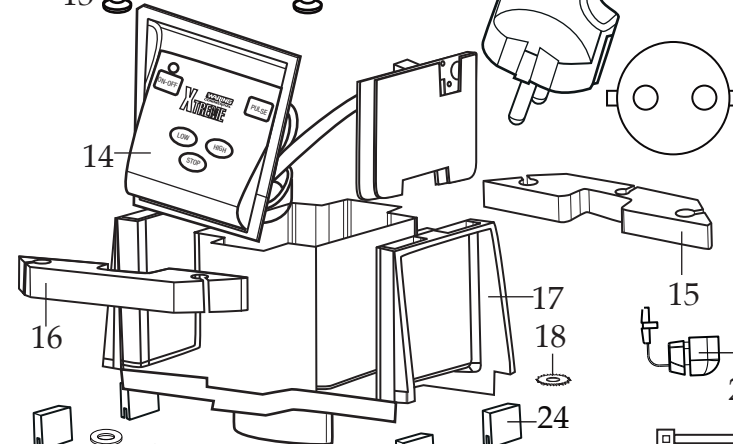
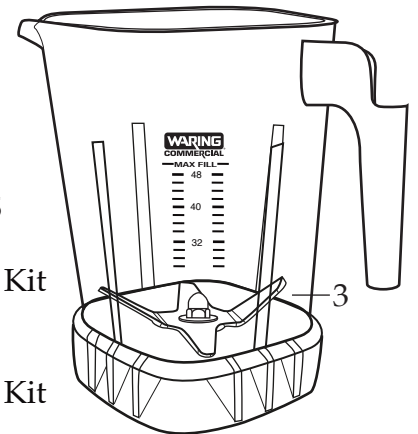
032761
MX Jar Wrench
(optional)



Sealant all round threads, fill in flats.

030889
Blending Assembly Kit
(with 503397)

031060
Blending Assembly Kit
(with 503345)



Notes for 503439:

Torque 100-125 in./lbs

Sealant all around the threads, fill in flats.
Dow Corning Sealant RTV 733



Date Code Location
YY|MM|DD
year year | month month | day day

Catalog	Model
MX1050XTPEE	MX1050XT12CE
MX1050XTPSEE	MX1050XT22CE



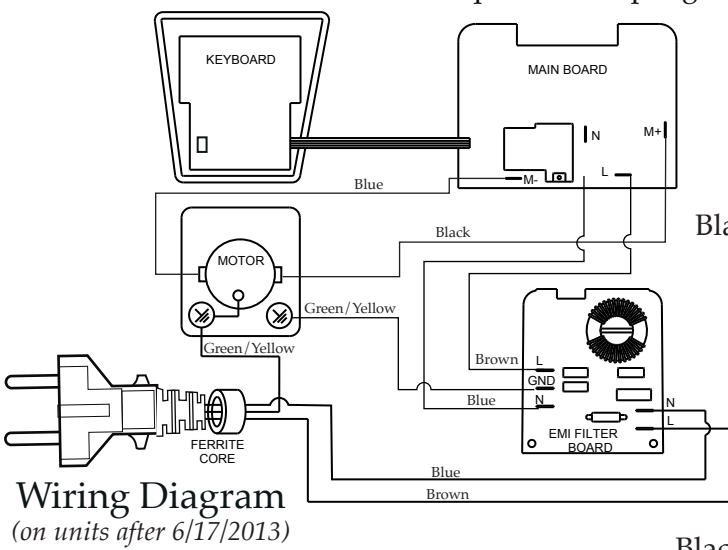
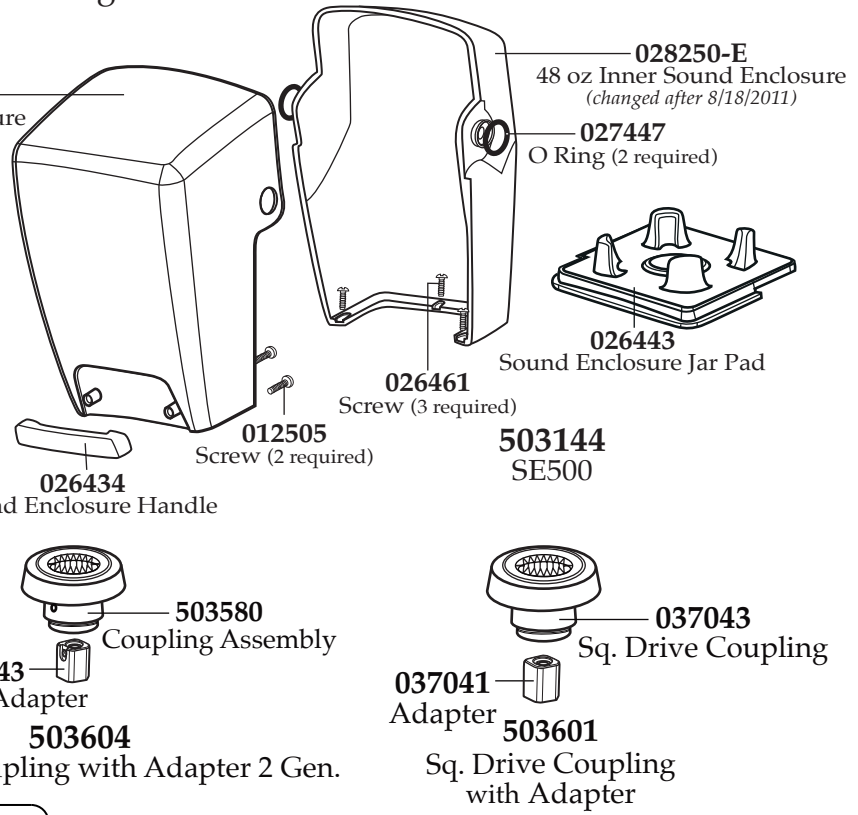
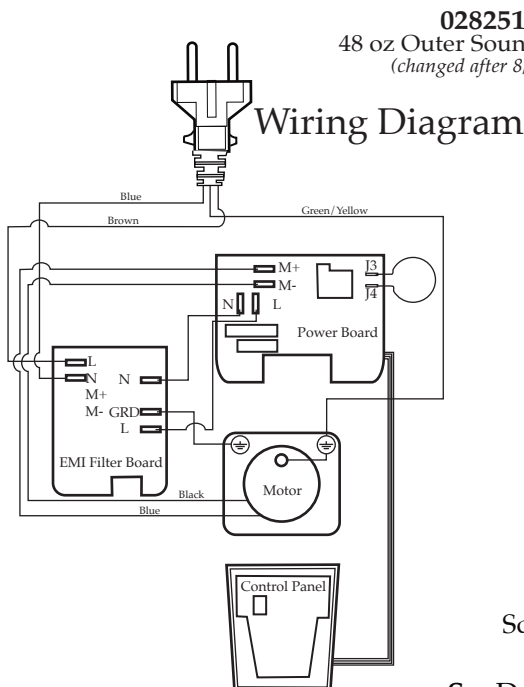
Illustration#	Part#	Description
1	028769-E 028769	Jar Lid Cover (<i>changed after 10/8/2010</i>) MX/TBB Eastman Jar Lid Cover (use 028769-E)
2	028768	MX-XT Jar Lid
3	030888 503439 503348 503374 503309	48 oz. Raptor Container ONLY (<i>changed after 3/17/2014</i>) 48 oz.Raptor Container Assembly (<i>on units after 3/17/2014</i>) 48 oz Stackable Container Assembly (<i>on units after 2/24/2011 use 503349</i>) 48 oz Container with Blending Assembly (<i>on units after 8/25/2010</i>) (use 503348) - 503202 (use 503348)
4	503601 503604 028538	Sq. Drive Coupling with Adapter (<i>on units after 3/29/2022</i>) Sq. Drive Coupling with Adapter 2 Gen. (<i>changed 6/1/2021</i>) Drive Coupling
5	026442	Jar Pad
6	035398 028823	Leili Motor without Sensor (<i>on units after 8/28/2017</i>) ECM Motor without Sensor (<i>use 035398 with kit 503382-E-67</i>)
7	038278 026437	Dampening Plate Gasket (<i>on units after 8/25/2022</i>) Dampening Plate Gasket
8	503382-E-67 503382-E	MX Housings, Ferrite Core & Cord (<i>on units after 10/19/2017</i>) MX Housings, Ferrite Core & Cord (<i>on units after 6/17/2013</i>)
9	028541	Motor Foam (2 required)
10	026439	Dampening Plate Bushing (4 required)
11	038486 026453	Dampening Plate Sleeve (4 required <i>on units after 8/25/2022</i>) Dampening Plate Sleeve (4 required)
12	026459	Washer (2 required)
13	028929	Sems (4 required)
14	036397 029814	Control Panel with Interlock (<i>changed after 9/27/2019</i>) comes with key board-main board-filter board Soft Start Control Panel (<i>changed after 6/17/2013 use 036397</i>)
15	028248	Top Housing Foam Rear Baffle
16	028249	Top Housing Foam Front Baffle
17		<i>Motor Housing Included with Illustration # 8</i>
18	002943	Washer (3 required)
19	028247	Bottom Housing Foam Baffle
20	028542	Foam Baffle
21	013731	Cable Tie (3 required <i>on units after 9/22/2008</i>) – (2 required)
22		<i>Cord Included with Illustration # 8</i>
23	007556 035384 007556	Strain Relief (<i>changed after 6/22/2018</i>) Strain Relief (<i>on units after 2/18/2016</i>) Strain Relief
24	034900	PCB Cushion (4 required <i>on units after 7/1/2019</i>)
25	037232	Flat Neoprene Washer (2 required <i>on units after 7/1/2019</i>)
26	037007	PCB Mounting Bracket (2 required <i>on units after 7/1/2019</i>)
27	013768	Screw (2 required <i>on units after 7/1/2019</i>)
28		<i>Bottom Housing Included with Illustration # 8</i>

Catalog	Model
MX1050XTPEE	MX1050XT12CE
MX1050XTPSEE	MX1050XT22CE

Waring Factory Service Center
314 Ella T. Grasso Ave.
Torrington, CT 06790
Tele. 1-800-269-6640

Fax 860-496-9017
www.waringcommercialproducts.com

Illustration#	Part#	Description
29	012505	Screw (4 required)
30	026430	Corner Post (4 required)
31	028928	Sems (4 required)
32	503397	Blade Assembly <i>(on units after 3/18/2014)</i>
	503345	Blade Assembly
33	024271	O Ring
34	024268	Nut Gasket
35	029631	Bearing Holder Nut



Parts No Longer Used

(Last used on 6/17/2013)

